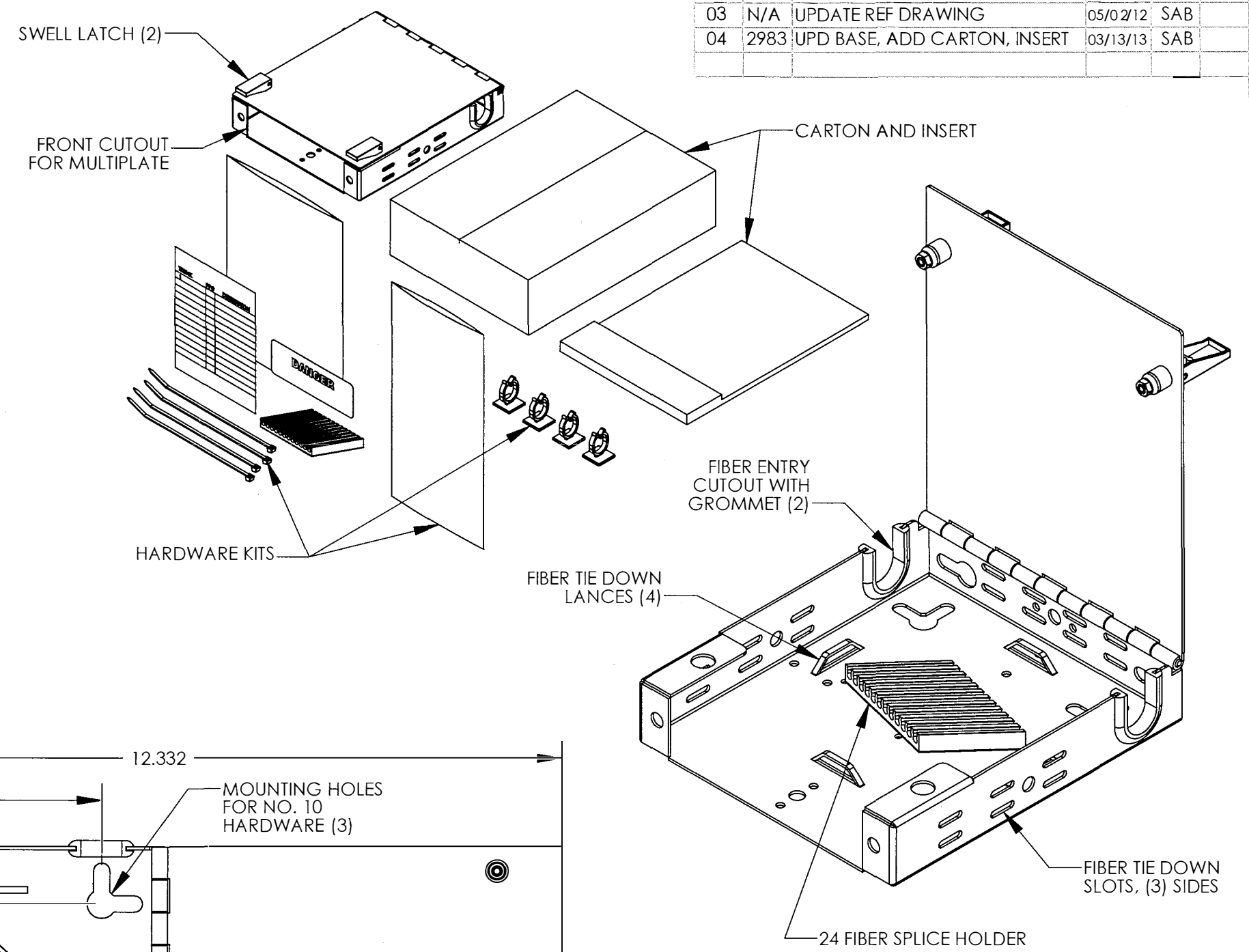
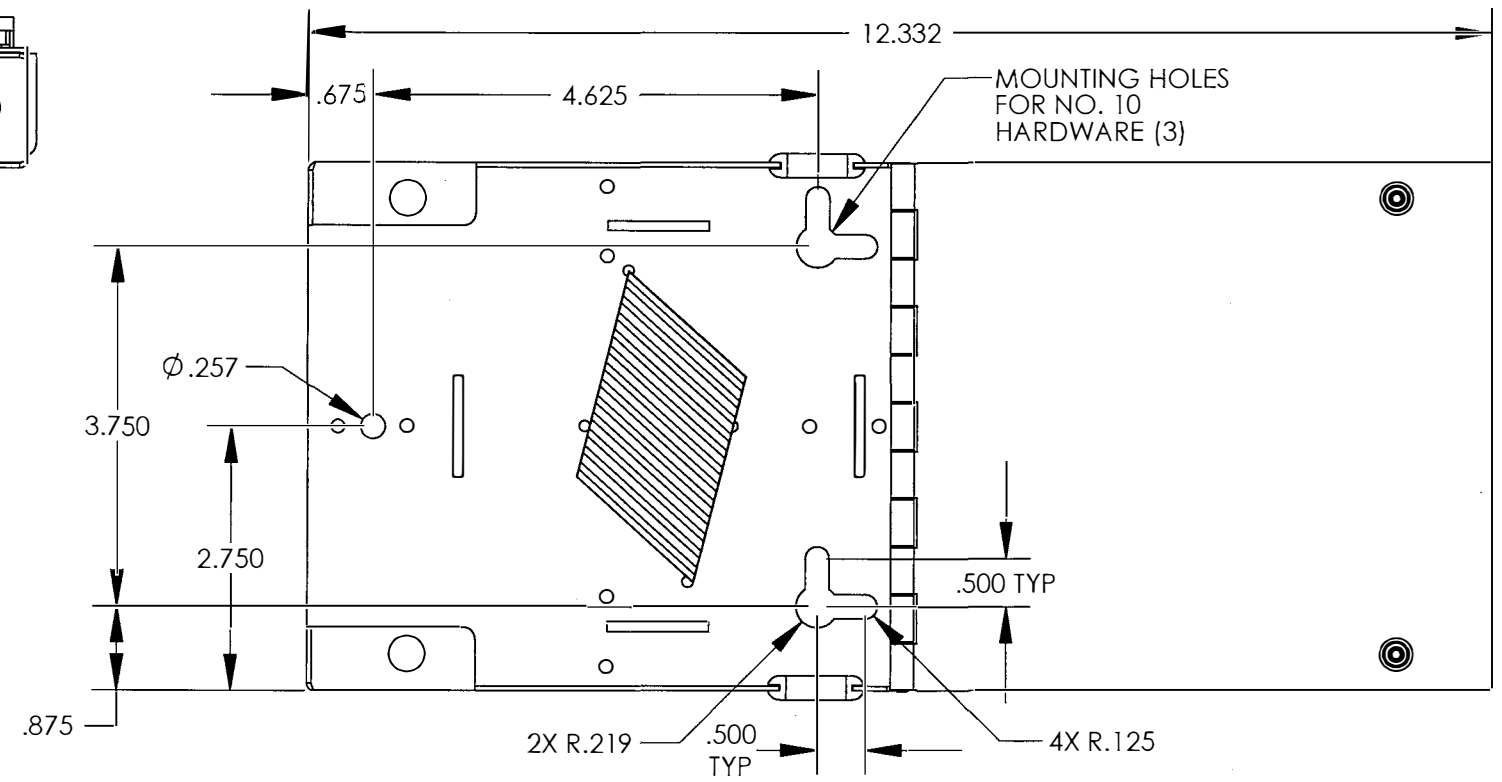
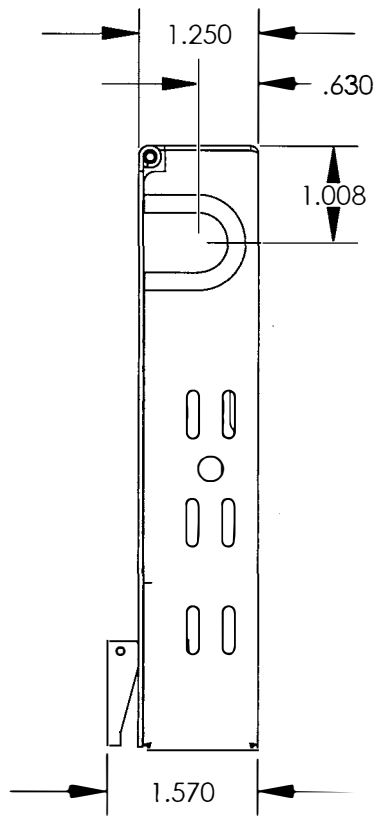
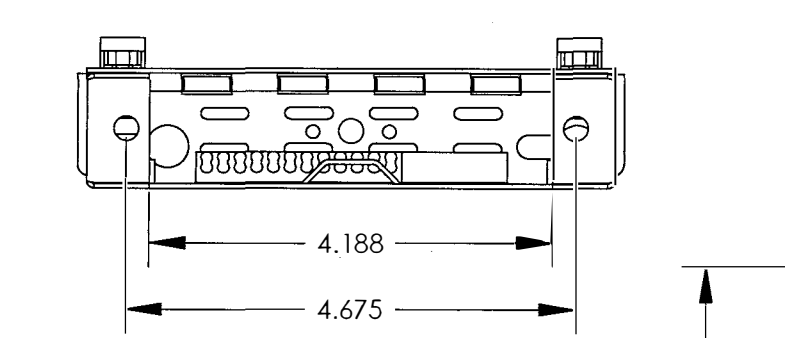
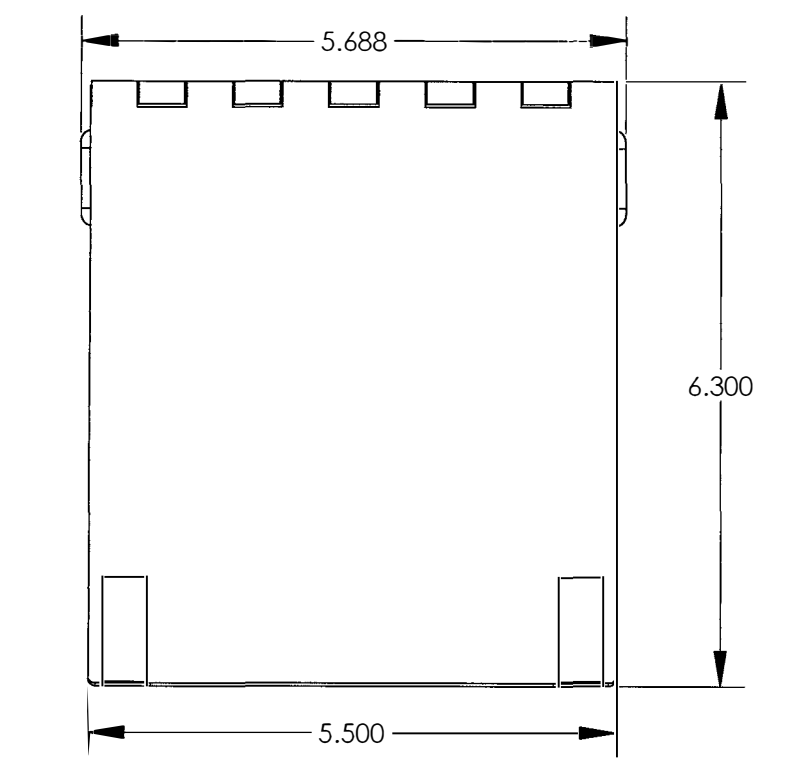
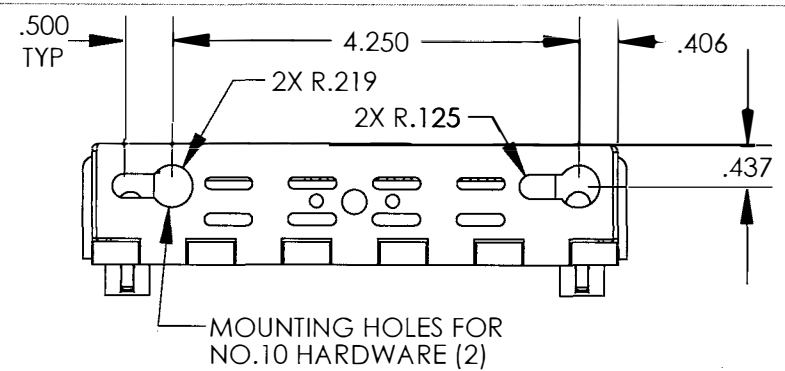


REV.	ECN #	DESCRIPTION OF CHANGE	DATE	BY	MFG ENG
01	N/A	INITIAL RELEASE	10/20/08	SAB	
03	N/A	UPDATE REF DRAWING	05/02/12	SAB	
04	2983	UPD BASE, ADD CARTON, INSERT	03/13/13	SAB	



NOTES:
1. ALSO AVAILABLE IN OFF WHITE, P/N 045-187-11.

UNLESS OTHERWISE SPECIFIED DIMENSIONS ARE IN INCHES TOLERANCES ARE: FRACTIONS: ±1/32 DECIMALS: .XX=±.03 .XXX=±.010 ANGLES: ±1° ALL FLATS TO BE ±.005		THIS DOCUMENT AND THE INFORMATION CONTAINED THEREIN ARE CONFIDENTIAL & PROPRIETARY TO MULTILINK AND MAY NOT BE COPIED OR DISCLOSED TO OTHERS WITHOUT A WRITTEN CONSENT FROM MULTILINK. THE INFORMATION IS TO BE PROMPTLY RETURNED TO MULTILINK UPON REQUEST.		Fibertronics, Inc.	
NO SHARP EDGES OR BURRS ALLOWED		DRAWN BY: SAB	DATE: 10/20/2008	FWM-1X-SP-BK W/ SPLICE CHIP	
MATERIAL: SEE B. OM.		CHECKED:	DATE:		
FINISH: BLACK TEXTURED		MFG ENG:	DATE:	SIZE: B	DWG. NO.:
DO NOT SCALE DRAWING		QUALITY ENG:	DATE:	SCALE: 1:2	CAD FILE: 045-187-10REF
				SHEET: 1	OF 1